

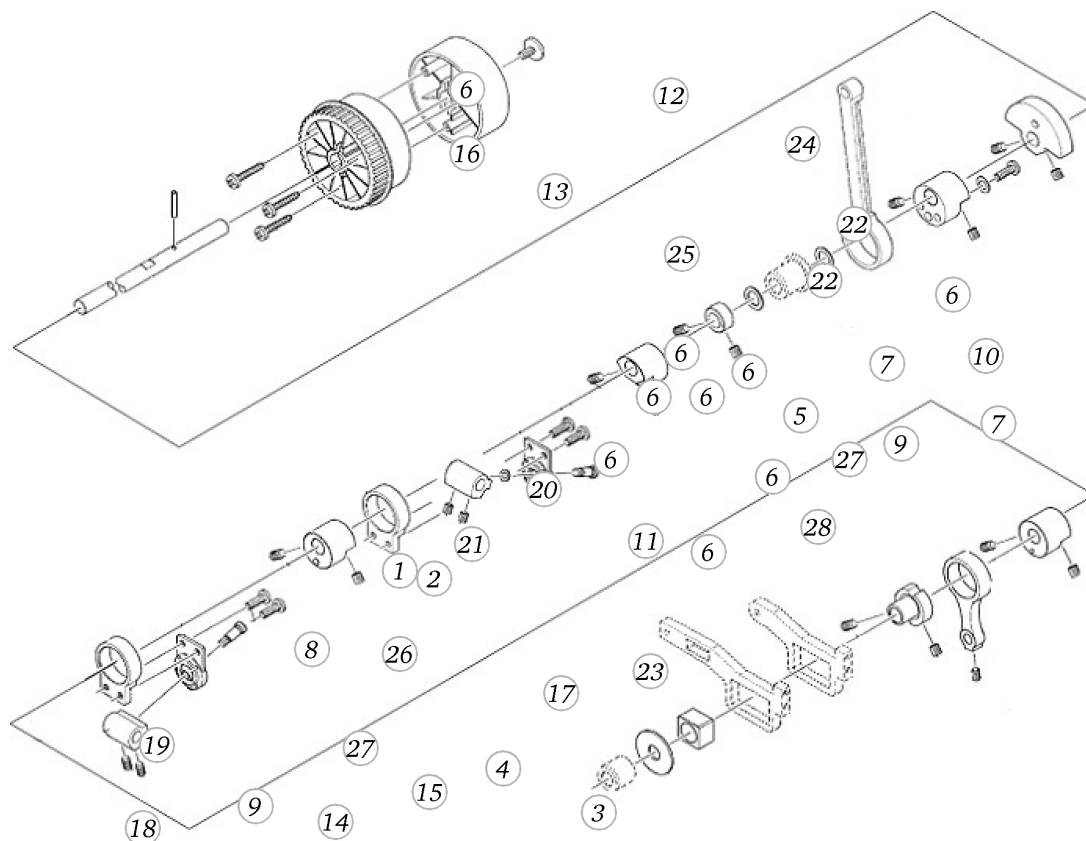


Spare Parts

bernette 610D

bernette 610D

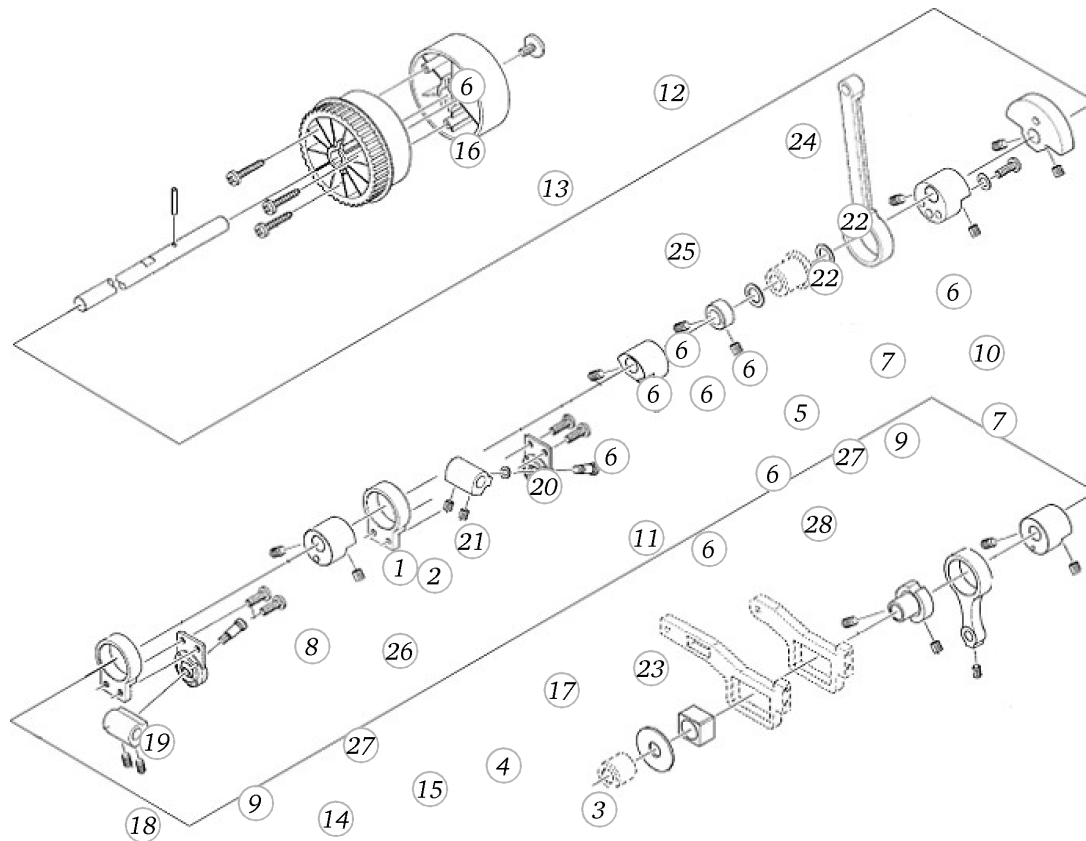
Main shaft with hand wheel



| Pos | Item number | Description | Supplier Part no. |
|-----|-------------|--------------------|-------------------|
| 1 | 43389 | THRUST WASHER | |
| 2 | 5020700621 | SPRING PIN | 44066 |
| 3 | 5020700391 | TAPPING SCREW | 47181 |
| 4 | 57746 | TAPPING SCREW | |
| 5 | 66474 | SCREW M5 | |
| 6 | 5020700604 | M4 SCREW | 66725 |
| 7 | 67447 | M5 SCREW | |
| 8 | 68891 | WASHER | |
| 9 | 5020700234 | BALL JOINT | |
| 10 | 72376 | BALANCE CAM | |
| 11 | 5020700370 | CRANK ROD | 72622 |
| 12 | 5020700371 | ECCENTRIC CAM | 72623 |
| 13 | 72629 | SLIDE BLOCK | |
| 14 | 72631 | ECCENTRIC CAM | |
| 15 | 72634 | CRANK ROD | |
| 16 | 72635 | ECCENTRIC CAM | |
| 17 | 72636 | ECCENTRIC CAM | |
| 18 | 72637 | ECCENTRIC CAM | |
| 19 | 72638 | ECCENTRIC CAM | |
| 20 | 72641 | LOOPER DRIVING ARM | |
| 21 | 5020700201 | BELT PULLEY | 72667 |
| 22 | 72679 | NYLON WASHER | |
| 23 | 72780 | MAIN SHAFT | |
| 24 | 5020700235 | M4 SCREW | 72788 |
| 25 | 5020700107 | SCREW M5 | 72806 |
| 26 | 72858 | WASHER | |
| 27 | 73472 | COLLAR | |
| 28 | 5020700644 | M4 PHILLIPS SCREW | 77042 |
| 29 | 5020700257 | Handwheel | 74728 |

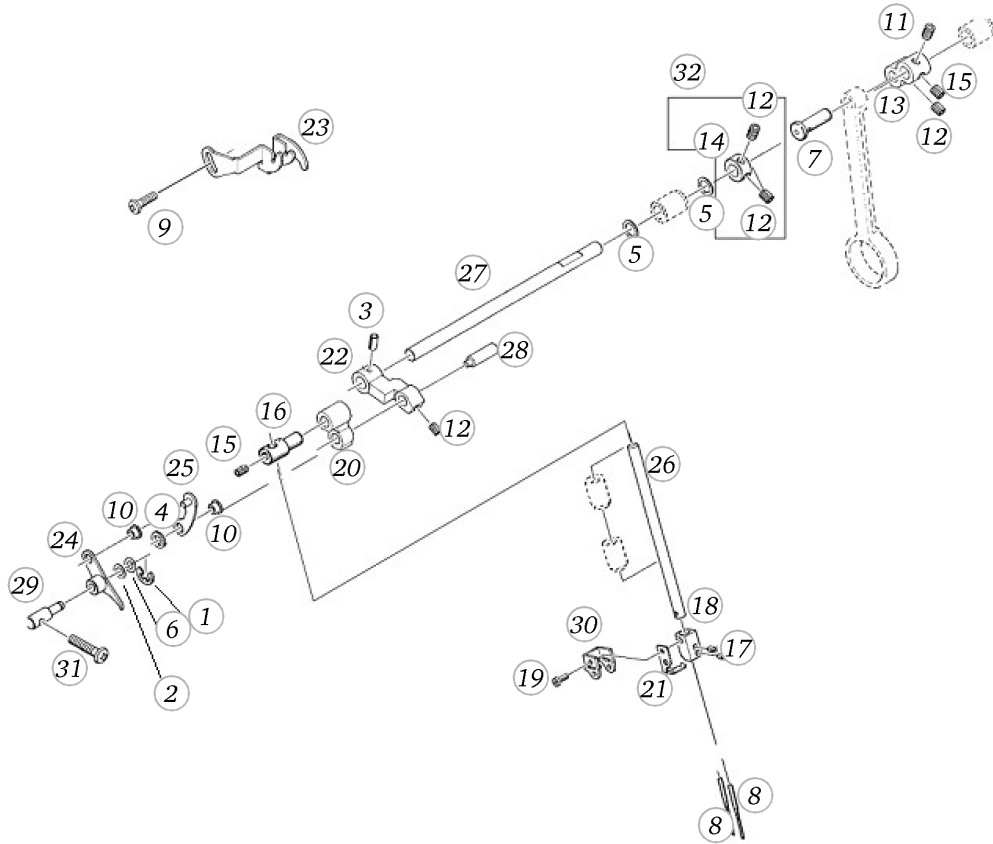
bernette 610D

Main shaft with hand wheel



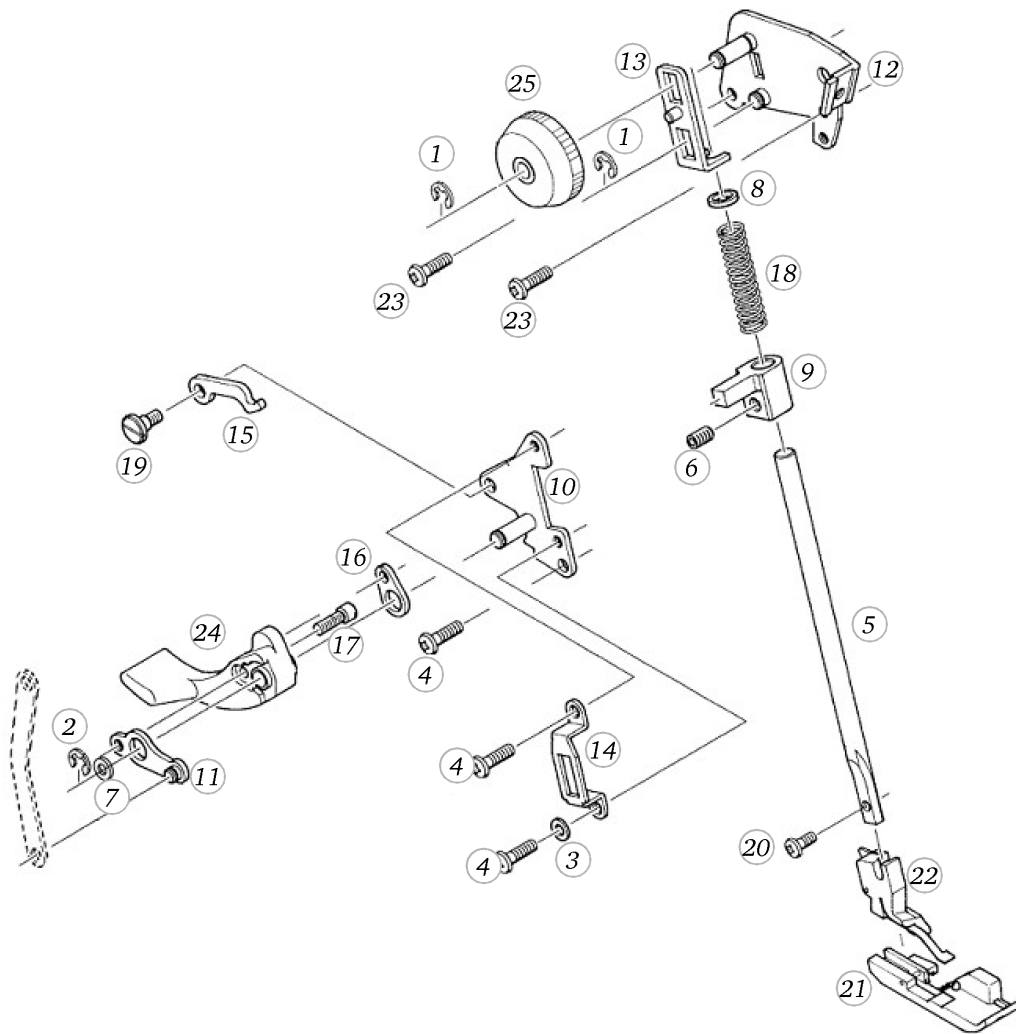
| Pos | Item number | Description | Supplier Part no. |
|-----|-------------|-----------------------|-------------------|
| 1 | 8400 | E5 CLIP-ON-WASHER | |
| 2 | 32316 | WASHER | |
| 3 | 5020700237 | FEED REG.BLOCK SET | |
| 4 | 64179 | SPRING PIN | |
| 5 | 66620 | COLLAR | |
| 6 | 5020700604 | M4 SCREW | 66725 |
| 7 | 67447 | M5 SCREW | |
| 8 | 5020700234 | BALL JOINT | |
| 9 | 72341 | THRUST WASHER | |
| 10 | 72379 | ECCENTRIC CAM | |
| 11 | 72603 | FEED ARM | |
| 12 | 72624 | FEED BASE | |
| 13 | 72625 | D.F.FEED BASE | |
| 14 | 72626 | FEED REGULATING ARM | |
| 15 | 72632 | FEED REGULATING BLOCK | |
| 16 | 5020700642 | SLIDE BLOCK | 72633 |
| 17 | 72781 | SHAFT | |
| 18 | 72792 | PIN | |
| 19 | 72798 | PIN | |
| 20 | 72802 | SHAFT | |
| 21 | 72803 | SHAFT | |
| 22 | 72813 | SCREW M3.5 | |
| 23 | 72825 | TORSION SPRING | |
| 24 | 5020700013 | REAR FEED DOG | 77015 |
| 25 | 5020700014 | FRONT FEED DOG | 77016 |
| 26 | 5020700644 | M4 PHILLIPS SCREW | 77042 |
| 27 | 5020700236 | SLIDE BLOCK | |
| 28 | 81488 | COLLAR SET | |

bernette 610D



Needlesystem

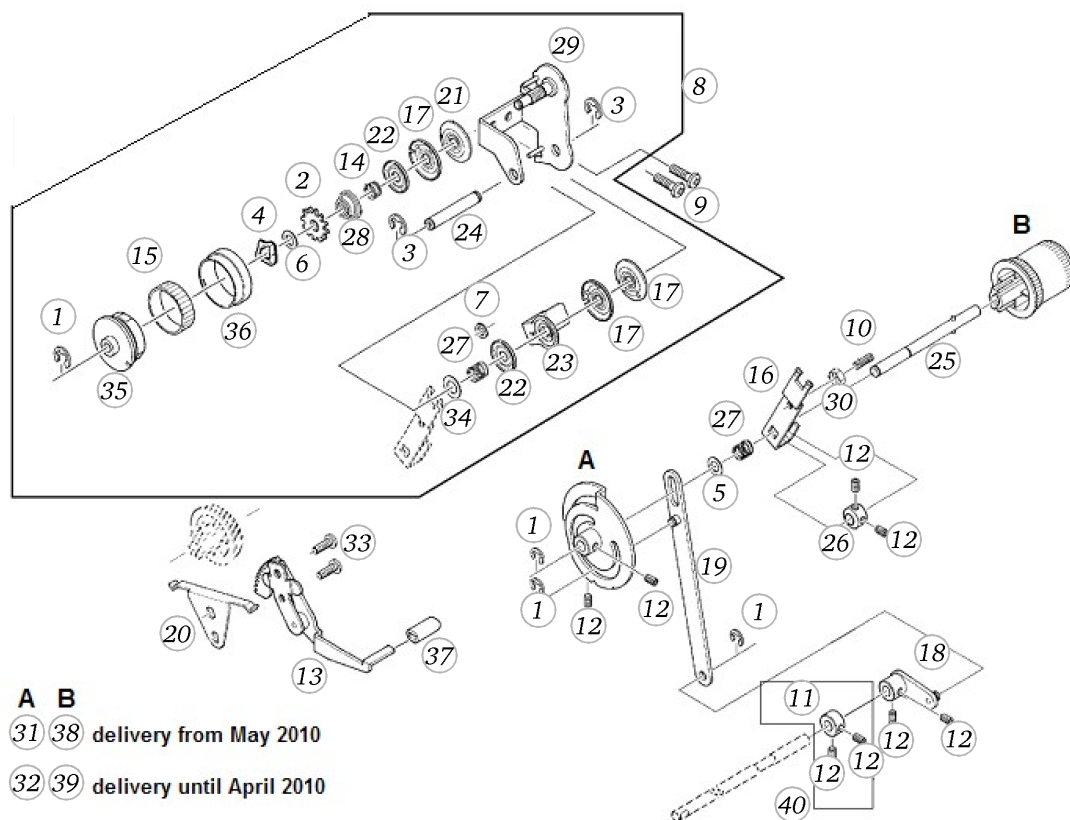
| Pos | Item number | Description | Supplier Part no. |
|-----|-------------|----------------------|-------------------|
| 1 | 5020700306 | E4 CLIP-ON-WASHER | 1513 |
| 2 | 2206 | WASHER | |
| 3 | 24133 | PIPE KNOCK PIN | |
| 4 | 37910 | CLIP-ON-WASHER | |
| 5 | 43390 | THRUST WASHER | |
| 6 | 43858 | WASHER | |
| 7 | 44044 | STUD | |
| 8 | 5020700122 | NEEDLE | |
| 9 | 61221 | M4 PHILLIPS SCREW | |
| 10 | 5020700305 | BUSH | 66437 |
| 11 | 66474 | SCREW M5 | |
| 12 | 5020700604 | M4 SCREW | 66725 |
| 13 | 67440 | CRANK-ROD ARM | |
| 14 | 67444 | COLLAR | |
| 15 | 67447 | M5 SCREW | |
| 16 | 67455 | HOLDER | |
| 17 | 5020700004 | NEEDLE CLAMP SCREW | 67847 |
| 18 | 5020700005 | NEEDLE CLAMP | 72270 |
| 19 | 5020700104 | SCREW M3 | |
| 20 | 72287 | NEEDLE BAR CRANK | |
| 21 | 5020700105 | THREAD GUIDE | |
| 22 | 5020700241 | MAIN SHAFT ARM LEVER | |
| 23 | 5020700137 | THREAD GUIDE | 72750 |
| 24 | 72751 | OSCILLATING LEVER | |
| 25 | 72752 | CONNECTING ARM | |
| 26 | 5020700242 | NEEDLE BAR | |
| 27 | 5020700244 | UPPER SHAFT | |
| 28 | 72796 | PIN | |
| 29 | 72797 | CENTER PIN | |
| 30 | 5020700109 | THREADER POSITIONER | |
| 31 | 77035 | PHILLIPPS SCREW M4 | |
| 32 | 81486 | COLLAR SET | |



| Pos | Item number | Description | Supplier Part no. |
|-----|-------------|-----------------------|-------------------|
| 1 | 5020700306 | E4 CLIP-ON-WASHER | 1513 |
| 2 | 8400 | E5 CLIP-ON-WASHER | |
| 3 | 58220 | WASHER | |
| 4 | 61221 | M4 PHILLIPS SCREW | |
| 5 | 63278 | PRESSER BAR | |
| 6 | 67447 | M5 SCREW | |
| 7 | 67617 | WASHER | |
| 8 | 72326 | WASHER | |
| 9 | 5020700304 | GUIDE BLOCK | 72643 |
| 10 | 72717 | BRACKET | |
| 11 | 72719 | TENSION RELEASE ARM | |
| 12 | 72720 | BRACKET | |
| 13 | 72725 | GIUDE PLATE | |
| 14 | 5020700303 | GUIDE PLATE | 72727 |
| 15 | 72728 | TENSION RELEASE LEVER | |
| 16 | 72766 | LIFTER | |
| 17 | 72807 | STUD SCREW M4 | |
| 18 | 72829 | COMPRESSION SPRING | |
| 19 | 72848 | STUD SCREW ##4 | |
| 20 | 5020700108 | ##7 PHILLIPS SCREW | |
| 21 | 5020700010 | PRESSER FOOT | 77006 |
| 22 | 5020700015 | PRESSER FOOT HOLDER | 77017 |
| 23 | 5020700644 | M4 PHILLIPS SCREW | 77042 |
| 24 | 5020700377 | PRESSER FOOT LIFTER | 74732 |
| 25 | 5020700385 | Pressure control knob | 24018 |

bernette 610D

Thread tension

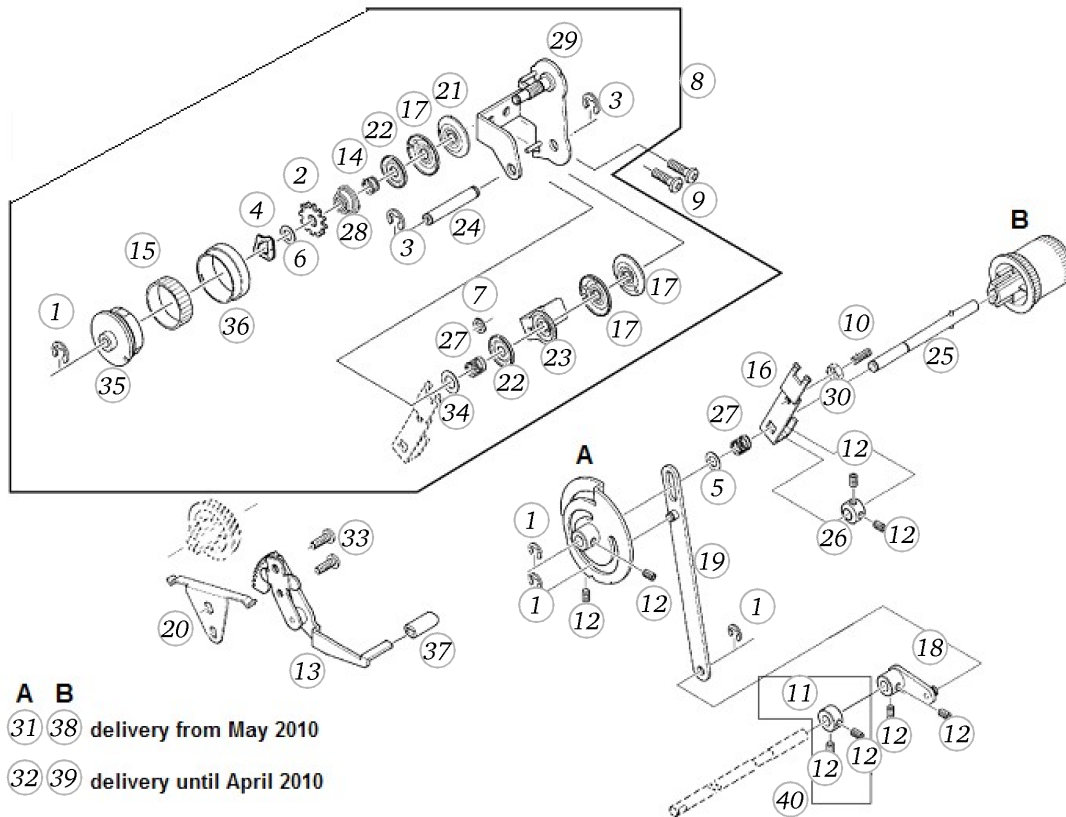


| Pos | Item number | Description | Supplier Part no. |
|-----|-------------|---------------------------|-------------------|
| 1 | 5020700306 | E4 CLIP-ON-WASHER | 1513 |
| 2 | 3159 | TOOTHED WASHER | |
| 3 | 8400 | E5 CLIP-ON-WASHER | |
| 4 | 5020700102 | WASHER CRINKLE | 28735 |
| 5 | 32316 | WASHER | |
| 6 | 32949 | WASHER | |
| 7 | 40395 | CLIP-ON-WASHER | |
| 8 | 5020700264 | TENSION DIAL SET | 50997 |
| 9 | 61222 | M4 PHILLIPS SCREW | |
| 10 | 63956 | SCREW M4 | |
| 11 | 66620 | COLLAR | |
| 12 | 5020700604 | M4 SCREW | 66725 |
| 13 | 72354 | D.F. GEAR | |
| 14 | 72380 | COMPRESSION SPRING | |
| 15 | 5020700106 | RUBBER BAND GREY | |
| 16 | 5020700130 | TENSION CONTROL PLATE | 72724 |
| 17 | 72726 | TENSION DISC (B) | |
| 18 | 72729 | STITCH LENGTH CONTROL ARM | |
| 19 | 72730 | CONNECTING PLATE | |
| 20 | 5020700131 | LEAF SPRING | 72737 |
| 21 | 72749 | TENSION DISC (A) | |
| 22 | 72761 | PRESSURE DISC | |
| 23 | 5020700140 | PRESSER PLATE | 72774 |
| 24 | 72783 | SHAFT | |
| 25 | 72785 | SHAFT | |
| 26 | 72814 | COLLAR | |
| 27 | 72824 | COMPRESSING SPRING | |
| 28 | 5020700269 | COMPRESSION SPRING | 72832 |
| 29 | 5020700147 | BRACKET | 72889 |
| 30 | 73299 | TORQUE NUT M4 | |
| 31 | 73528 | STITCH LENGTH CONTROL CAM | |
| 32 | 5020700202 | STITCH LENGTH CONTR.CAM | |
| 33 | 5020700644 | M4 PHILLIPS SCREW | 77042 |
| 34 | 77056 | WASHER | |

A B
 31 38 delivery from May 2010
 32 39 delivery until April 2010

bernette 610D

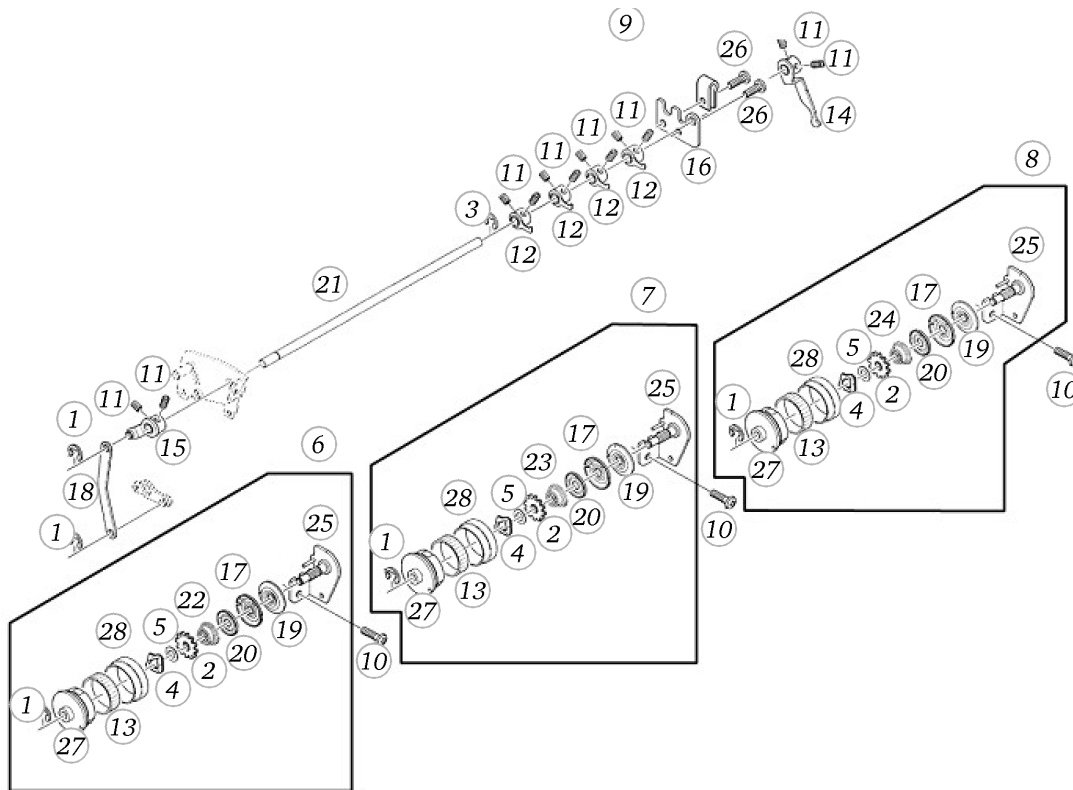
Thread tension



| Pos | Item number | Description | Supplier Part no. |
|-----|-------------|----------------------------|-------------------|
| 35 | 5020700110 | THREAD TENSION DIAL | 79023 |
| 36 | 5020700112 | THREAD TENSION RING | 79032 |
| 37 | 5020700113 | Hebelaufsatz | 79055 |
| 38 | 5020700114 | STITCH DIAL | |
| 39 | 79550 | STITCH LENGTH CONTROL DIAL | |
| 40 | 81488 | COLLAR SET | |

bernette 610D

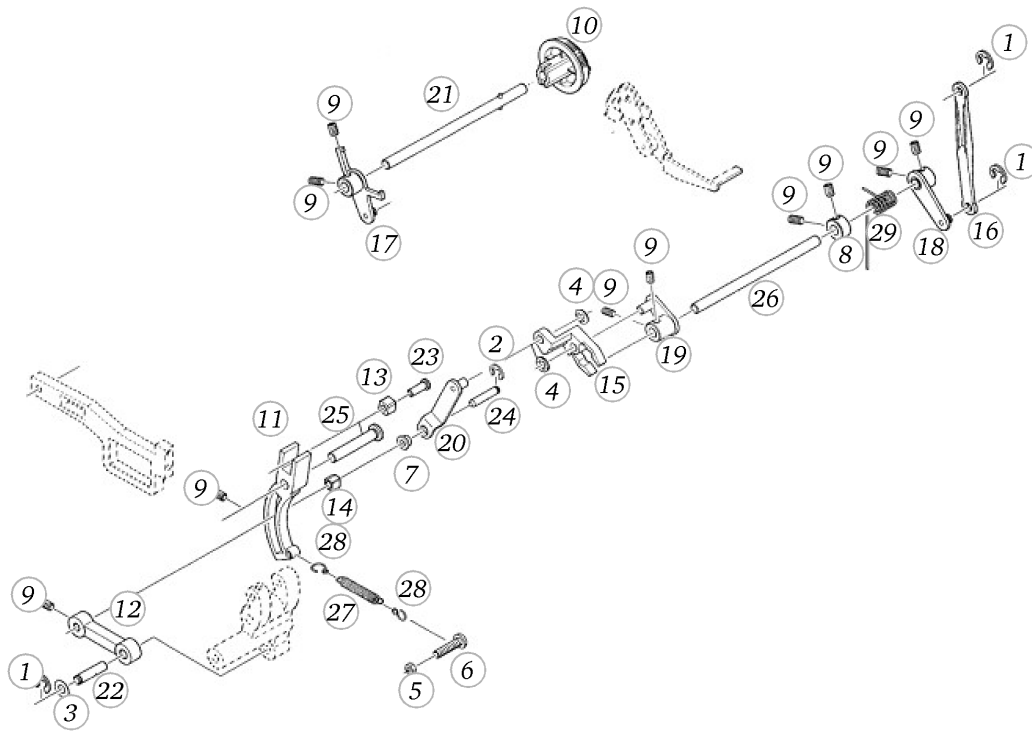
Thread tension



| Pos | Item number | Description | Supplier Part no. |
|-----|-------------|-------------------------------|-------------------|
| 1 | 5020700306 | E4 CLIP-ON-WASHER | 1513 |
| 2 | 3159 | TOOTHED WASHER | |
| 3 | 8400 | E5 CLIP-ON-WASHER | |
| 4 | 5020700102 | WASHER CRINKLE | 28735 |
| 5 | 32949 | WASHER | |
| 6 | 5020700103 | TENSION DIAL | 50971 |
| 7 | 5020700203 | TENSION DIAL SET RIGHT NEEDLE | |
| 8 | 5020700204 | TENSION DIAL SET UPPER NEEDLE | |
| 9 | 5020700124 | CORD GUARD | 58741 |
| 10 | 61222 | M4 PHILLIPS SCREW | |
| 11 | 5020700604 | M4 SCREW | 66725 |
| 12 | 72346 | TENSION RELEASE PLATE (A) | |
| 13 | 5020700106 | RUBBER BAND GREY | |
| 14 | 5020700129 | TENSION RELEASE PLATE B | 72716 |
| 15 | 72718 | TENSION RELEASE ARM | |
| 16 | 72721 | TENSION RELEASE GUIDE | |
| 17 | 72726 | TENSION DISC (B) | |
| 18 | 72732 | TENSION RELEASE LINK | |
| 19 | 72749 | TENSION DISC (A) | |
| 20 | 72761 | PRESSURE DISC | |
| 21 | 72782 | SHAFT | |
| 22 | 5020700267 | COMPRESSION SPRING | 72830 |
| 23 | 5020700268 | COMPRESSION SPRING | 72831 |
| 24 | 5020700269 | COMPRESSION SPRING | 72832 |
| 25 | 5020700146 | BRACKET | 72888 |
| 26 | 5020700644 | M4 PHILLIPS SCREW | 77042 |
| 27 | 5020700110 | THREAD TENSION DIAL | 79023 |
| 28 | 5020700112 | THREAD TENSION RING | 79032 |

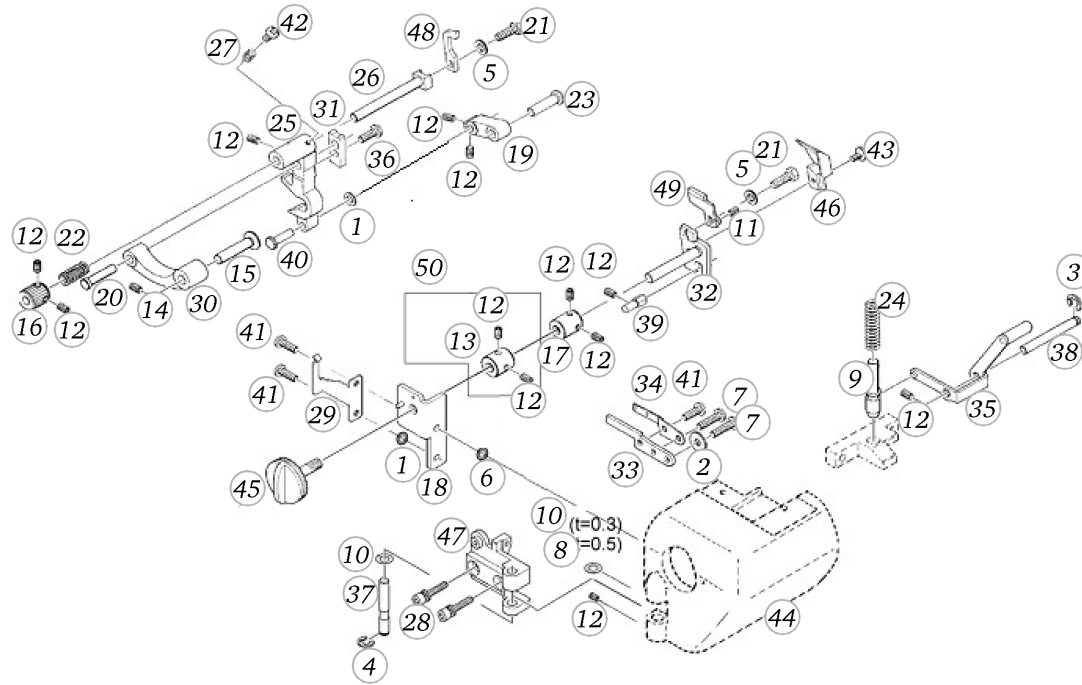
bernette 610D

Main shaft



| Pos | Item number | Description | Supplier Part no. |
|-----|-------------|-------------------|-------------------|
| 1 | 5020700306 | E4 CLIP-ON-WASHER | 1513 |
| 2 | 5020700480 | E3 CLIP-ON WASHER | 1520 |
| 3 | 2206 | WASHER | |
| 4 | 46293 | CLIP-ON-WASHER | |
| 5 | 62215 | NUT M4 | |
| 6 | 66352 | PHILLIPS SCREW M4 | |
| 7 | 5020700305 | BUSH | 66437 |
| 8 | 66620 | COLLAR | |
| 9 | 5020700604 | M4 SCREW | 66725 |
| 10 | 5020700125 | D.F. DIAL | |
| 11 | 72627 | D.F. LOCKING ARM | |
| 12 | 5020700376 | LINK | 72628 |
| 13 | 5020700642 | SLIDE BLOCK | 72633 |
| 14 | 72644 | SLIDE BLOCK | |
| 15 | 72683 | D.F.ARM | |
| 16 | 72686 | CONNECTING ROD | |
| 17 | 72731 | D.F. ARM (A) | |
| 18 | 72733 | D.F. ARM (C) | |
| 19 | 72735 | D.F. ARM (D) | |
| 20 | 72736 | CONNECTING PLATE | |
| 21 | 72786 | SHAFT | |
| 22 | 72799 | PIN | |
| 23 | 72800 | PIN | |
| 24 | 72801 | SHAFT | |
| 25 | 72804 | PIN | |
| 26 | 72805 | SHAFT | |
| 27 | 72836 | EXTENSION SPRING | |
| 28 | 72835 | HOOK FOR SPRING | |
| 29 | 72837 | TORSION SPRING | |

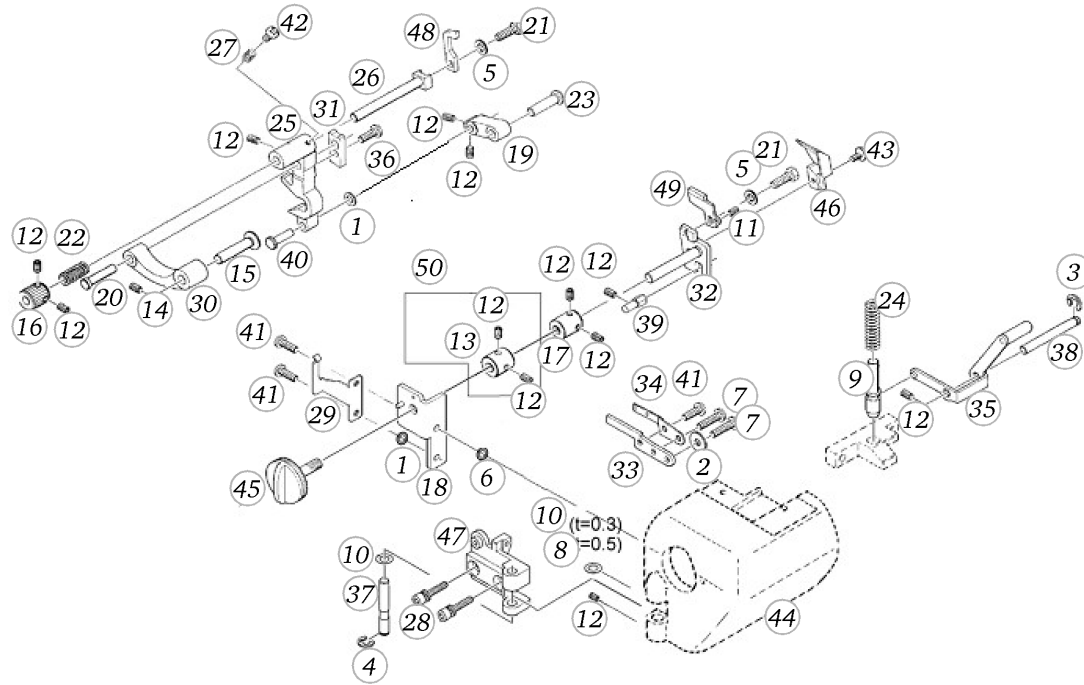
bernette 610D



Lower shaft

| Pos | Item number | Description | Supplier Part no. |
|-----|-------------|------------------------|-------------------|
| 1 | 1615 | WASHER | |
| 2 | 2744 | WASHER | |
| 3 | 8400 | E5 CLIP-ON-WASHER | |
| 4 | 10963 | E6 CLIP-ON-WASHER | |
| 5 | 5020700372 | WASHER | §25670 |
| 6 | 43858 | WASHER | |
| 7 | 61224 | M4 PHILLIPS SCREW | |
| 8 | 61588 | WASHER 0.5MM | |
| 9 | 63173 | PIN | |
| 10 | 63501 | WASHER 0.3MM | |
| 11 | 64653 | SCREW M3 | |
| 12 | 5020700604 | M4 SCREW | 66725 |
| 13 | 67445 | COLLAR | |
| 14 | 67447 | M5 SCREW | |
| 15 | 72160 | STUD | |
| 16 | 72165 | KNIFE RELEASE KNOB | |
| 17 | 72168 | COLLAR | |
| 18 | 72169 | KNOB MOUNTING BRACKET | |
| 19 | 72171 | LINK (B) | |
| 20 | 72180 | STUD | |
| 21 | 5020700373 | BOLT M3.5 | 72183 |
| 22 | 72187 | COMPRESSION SPRING | |
| 23 | 72191 | STUD | |
| 24 | 72207 | COMPRESSION SPRING | |
| 25 | 5020700266 | DRIVING ARM | |
| 26 | 72261 | SHAFT | |
| 27 | 72296 | COMPRESSION SPRING | |
| 28 | 72365 | M5 BOLT WITH WASHER M5 | |
| 29 | 72392 | SPRING PLATE | |
| 30 | 5020700374 | LINK | 72645 |
| 31 | 72646 | POSITIONER | |
| 32 | 72704 | LOWER KNIFE HOLDER | |
| 33 | 5020700132 | NEEDLE PLATE HOLDER | 72744 |
| 34 | 5020700134 | LEAF SPRING | 72745 |

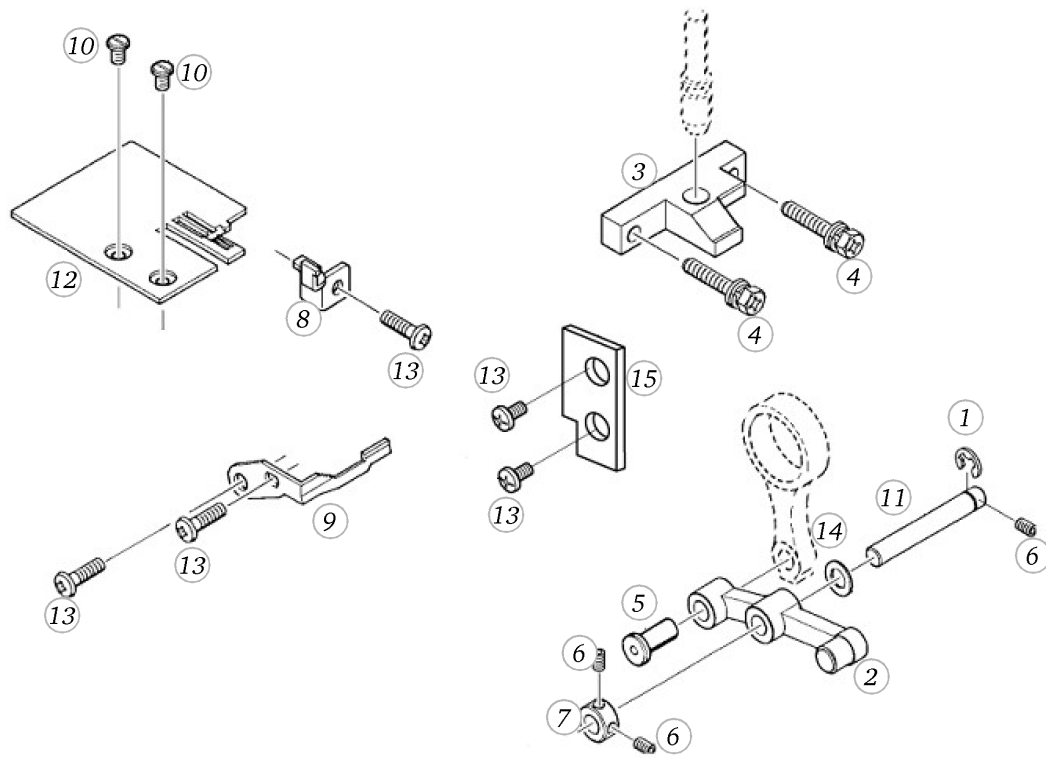
bernette 610D



Lower shaft

| Pos | Item number | Description | Supplier Part no. |
|-----|-------------|-------------------|-------------------|
| 35 | 72759 | LEVER | |
| 36 | 5020700180 | SCREW M4 | 72791 |
| 37 | 5020700630 | SHAFT | 72815 |
| 38 | 72817 | SHAFT | |
| 39 | 72819 | HEXAGONAL KNIFE | |
| 40 | 72838 | STUD | |
| 41 | 5020700644 | M4 PHILLIPS SCREW | 77042 |
| 42 | 5020700511 | M3 PHILLIPS SCREW | 77044 |
| 43 | 77053 | M3 PHILLIPS SCREW | |
| 44 | 5020700205 | HINGED COVER | |
| 45 | 5020700206 | Kontrollknopf | 74733 |
| 46 | 5020700111 | LOWER KNIFE COVER | 79029 |
| 47 | 5020700631 | HINGED SUPPORT | 74743 |
| 48 | 5020700017 | UPPER KNIFE | 79089 |
| 49 | 5020700018 | LOWER KNIFE | 79090 |
| 50 | 81487 | COLLAR SET | |

bernette 610D

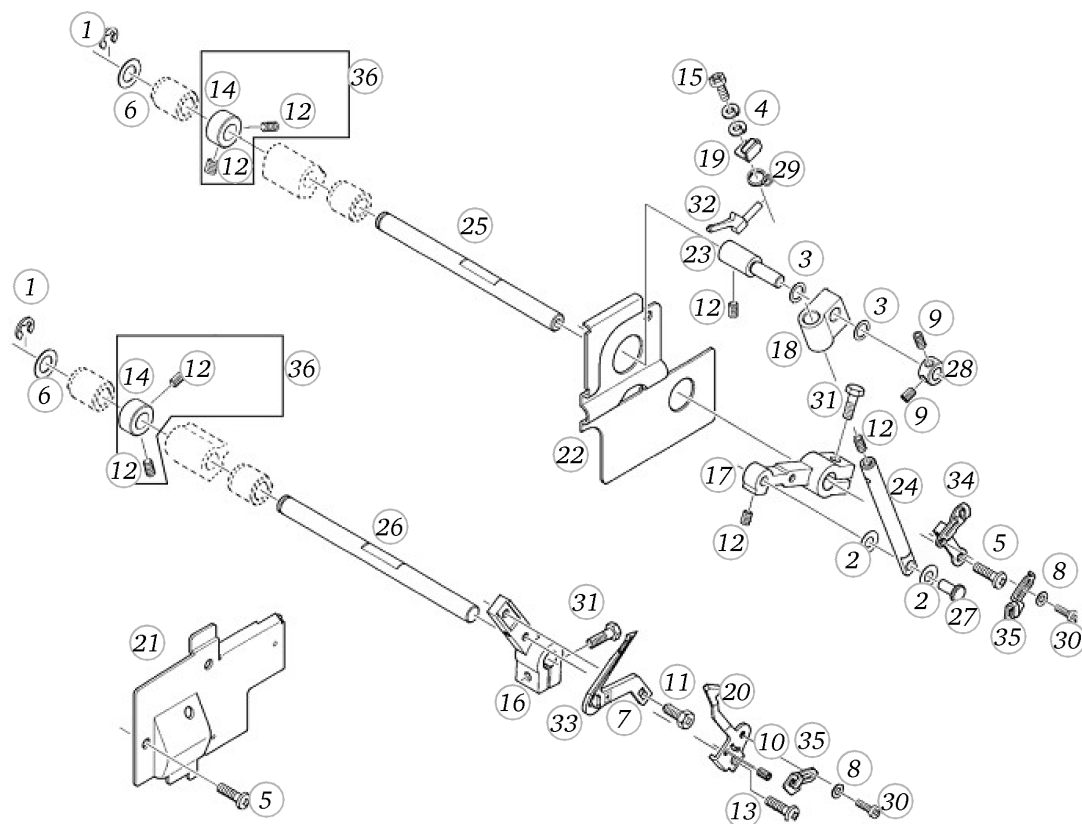


Stitch plate

| Pos | Item number | Description | Supplier Part no. |
|-----|-------------|----------------------|-------------------|
| 1 | 10963 | E6 CLIP-ON-WASHER | |
| 2 | 63163 | KNIFE LEVER ASSEMBLY | |
| 3 | 63171 | FIXING BASE | |
| 4 | 63264 | BOLT WITH WASHER M5 | |
| 5 | 63514 | STUD | |
| 6 | 5020700604 | M4 SCREW | 66725 |
| 7 | 67445 | COLLAR | |
| 8 | 5020700135 | NEEDLE PLATE HOLDER | 72746 |
| 9 | 5020700136 | NEEDLE RECEIVER B | 72748 |
| 10 | 5020700180 | SCREW M4 | 72791 |
| 11 | 72812 | SHAFT | |
| 12 | 5020700007 | NEEDLE PLATE | 72899 |
| 13 | 5020700644 | M4 PHILLIPS SCREW | 77042 |
| 14 | 77056 | WASHER | |
| 15 | 79552 | PLATE | |

bernette 610D

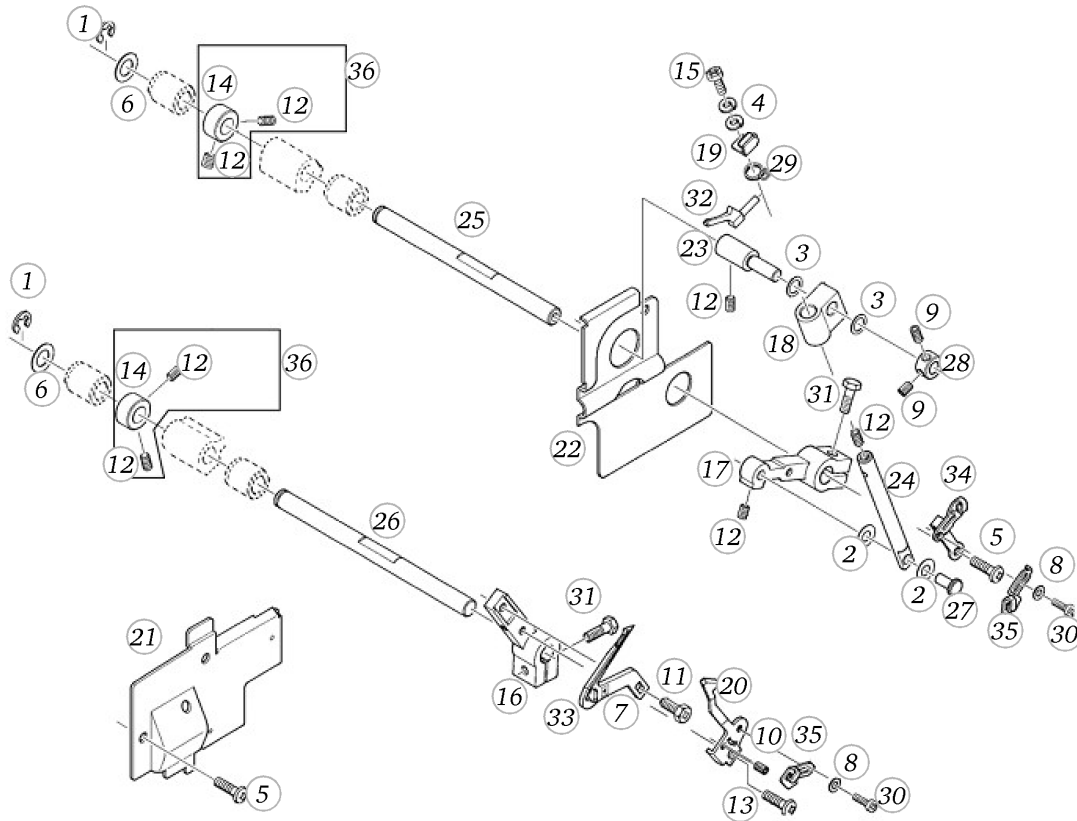
Lower looper supp.



| Pos | Item number | Description | Supplier Part no. |
|-----|-------------|----------------------|-------------------|
| 1 | 10963 | E6 CLIP-ON-WASHER | |
| 2 | 35942 | THRUST WASHER | |
| 3 | 5020700602 | WASHER | 43393 |
| 4 | 53740 | SPRING WASHER | |
| 5 | 61222 | M4 PHILLIPS SCREW | |
| 6 | 61588 | WASHER 0.5MM | |
| 7 | 62538 | SEAL | |
| 8 | 5020700579 | WASHER | 63805 |
| 9 | 5020700603 | SCREW M4 | |
| 10 | 64653 | SCREW M3 | |
| 11 | 65818 | BOLT M4 | |
| 12 | 5020700604 | M4 SCREW | 66725 |
| 13 | 67251 | PHILLIPS SCREW M3.5 | |
| 14 | 67444 | COLLAR | |
| 15 | 72367 | M4 BOLT | |
| 16 | 5020700159 | LOOPER BASE | 72639 |
| 17 | 5020700160 | UPPER LOOPER SUP.ARM | 72640 |
| 18 | 5020700605 | PIVOT | |
| 19 | 5020700425 | SUPPORT PLATE | 72705 |
| 20 | 5020700179 | NEEDLE RECEIVER | 72747 |
| 21 | 72767 | BED COVER | |
| 22 | 72768 | LOOPER COVER | |
| 23 | 5020700606 | PIN | 72787 |
| 24 | 72793 | LOOPER SLIDE SHAFT | |
| 25 | 72794 | SHAFT | |
| 26 | 72795 | SHAFT | |
| 27 | 5020700181 | PIN | |
| 28 | 5020700607 | COLLAR | 72821 |
| 29 | 5020700183 | THREAD GUIDE | 73527 |
| 30 | 73900 | PHILLIPS SCREW M3 | |
| 31 | 73973 | BOLT M4 | |
| 32 | 5020700011 | UPPER LOOPER | 77013 |
| 32 | 5020700659 | UPPER LOOPER | 79091 |
| 33 | 5020700012 | LOWER LOOPER | 77014 |

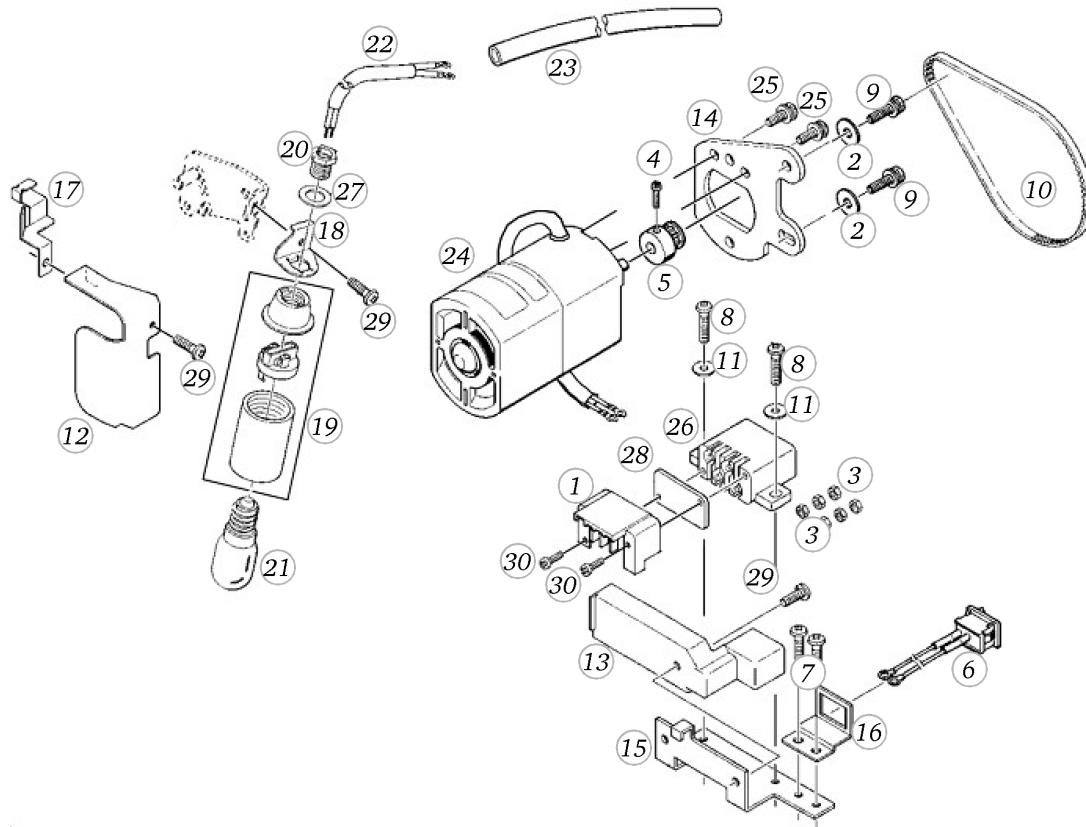
bernette 610D

Lower looper supp.



| Pos | Item number | Description | Supplier Part no. |
|-----|-------------|----------------|-------------------|
| 34 | 5020700155 | THREAD GUIDE A | 79555 |
| 35 | 5020700156 | THREAD GUIDE B | 79556 |
| 36 | 81486 | COLLAR SET | |

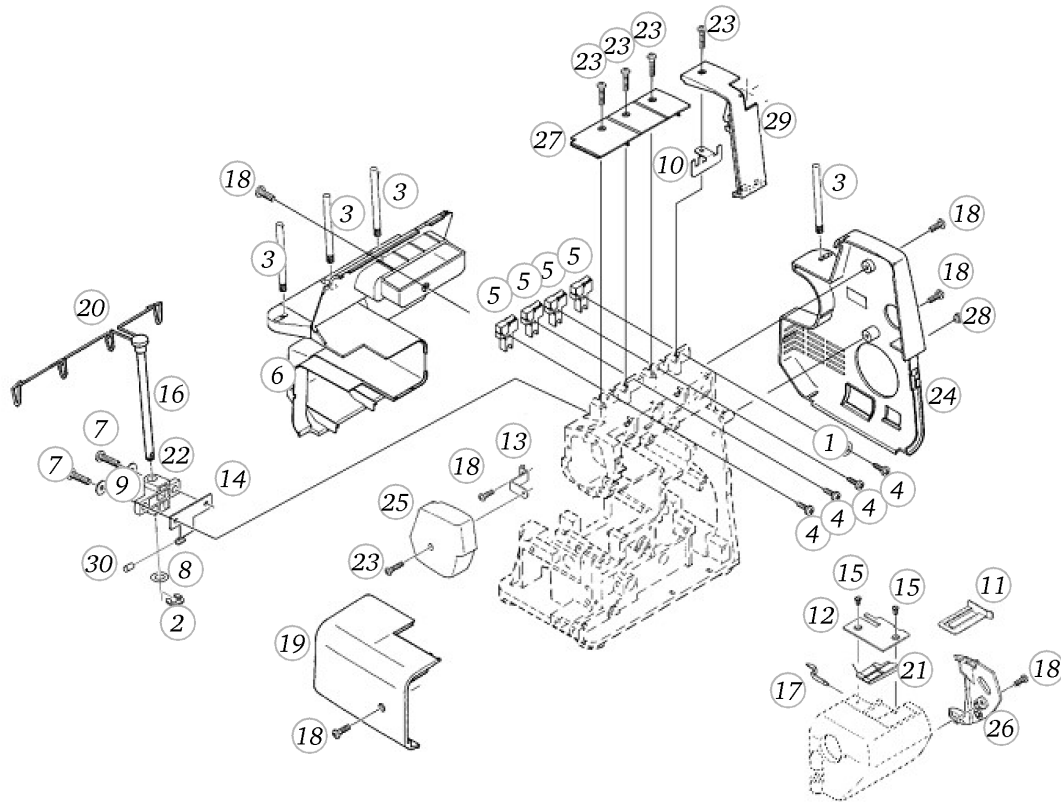
bernette 610D



Motor

| Pos | Item number | Description | Supplier Part no. |
|-----|-------------|-------------------------------|-------------------|
| 1 | 5020700176 | Terminal Block cover | 41892 |
| 2 | 42269 | WASHER | |
| 3 | 5020700444 | M3 NUT | 44498 |
| 4 | 54479 | M2.5 PHILLIPS SCREW | |
| 5 | 5020700123 | MOTOR PULLEY | 56675 |
| 6 | 5020700177 | SWITCH ASSY M28DF | 59181 |
| 7 | 61221 | M4 PHILLIPS SCREW | |
| 8 | 61224 | M4 PHILLIPS SCREW | |
| 9 | 66311 | BOLT WITH WASHER M5 | |
| 10 | 5020700162 | TIMING BELT 130XL018 | 67701 |
| 11 | 68891 | WASHER | |
| 12 | 5020700240 | REFLECTING PLATE | |
| 13 | 72649 | TERMINAL CASE | |
| 14 | 72740 | MOTOR BRACKET | |
| 15 | 72760 | TERMINAL BRACKET | |
| 16 | 72765 | SWITCH BRACKET | |
| 17 | 72773 | CORD GUIDE | |
| 18 | 72922 | LAMP HOLDER BRACKET | |
| 19 | 72924 | LAMP HOLDER ASSEMBLY | |
| 20 | 72925 | CAP BOLT | |
| 21 | 5020700148 | LIGHT BULB | 72935 |
| 22 | 72939 | HARNESS | |
| 23 | 72940 | VINYL TUBE | |
| 24 | 5020700008 | MOTOR | 72951 |
| 25 | 72988 | M4 PHILLIPS SCREW WITH WASHER | |
| 26 | 5020700182 | TERMINAL BLOCK | 72993 |
| 27 | 74358 | WASHER | |
| 28 | 74913 | TERMINAL BLOCK COVER | |
| 29 | 5020700644 | M4 PHILLIPS SCREW | 77042 |
| 30 | 5020700185 | M3 SCREW | |

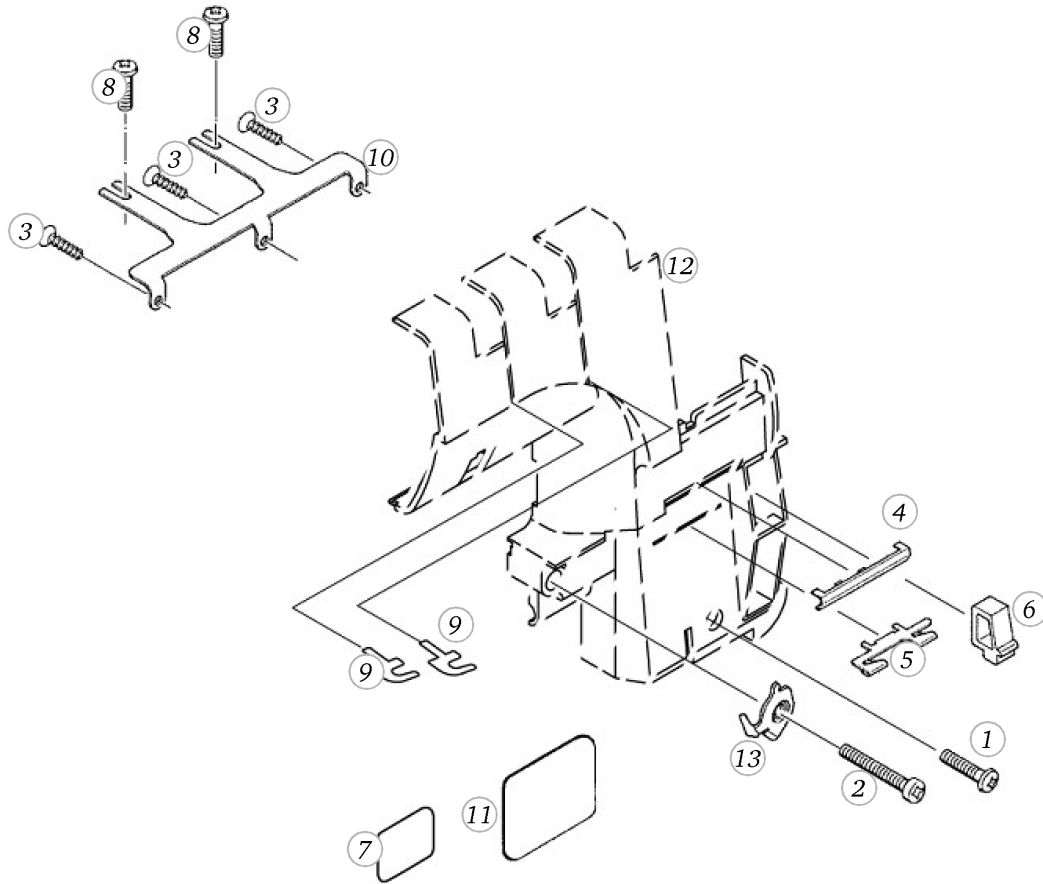
bernette 610D



Covers

| Pos | Item number | Description | Supplier Part no. |
|-----|-------------|-------------------------|-------------------|
| 1 | 1424 | WASHER | |
| 2 | 10963 | E6 CLIP-ON-WASHER | |
| 3 | 5020700526 | SPOOL PIN | 44125 |
| 4 | 5020700391 | TAPPING SCREW | 47181 |
| 5 | 5020700121 | THREAD GUIDE | 50974 |
| 6 | 5020700261 | REAR COVER SET | 51002 |
| 7 | 61225 | M4 PHILLIPS SCREW | |
| 8 | 61588 | WASHER 0.5MM | |
| 9 | 68891 | WASHER | |
| 10 | 72377 | STOPPER | |
| 11 | 5020700126 | CLOTH GUIDE | 72707 |
| 12 | 5020700127 | COVER PLATE | 72709 |
| 13 | 72713 | BRACKET | |
| 14 | 72764 | LEAF SPRNG | |
| 15 | 5020700180 | SCREW M4 | 72791 |
| 16 | 5020700006 | EXTENSION BAR | 72820 |
| 17 | 5020700145 | DETACHABLE INSERT PLATE | 72884 |
| 18 | 5020700644 | M4 PHILLIPS SCREW | 77042 |
| 19 | 79011 | BED COVER | |
| 20 | 5020700294 | THREAD STAND | 74708 |
| 21 | 5020700016 | GAUGE PLATE | 79019 |
| 22 | 79027 | HOLDER | |
| 23 | 5020700186 | SCREW M4 | |
| 24 | 5020700245 | SIDE COVER | 79042 |
| 25 | 5020700207 | FACE COVER | 79044 |
| 26 | 5020700151 | SHUTTER | 76919 |
| 27 | 5020700384 | TOP COVER | 24029 |
| 28 | 79551 | CAP | |
| 29 | 5020700187 | TOP COVER | 24031 |
| 30 | 80294 | TUBE | |

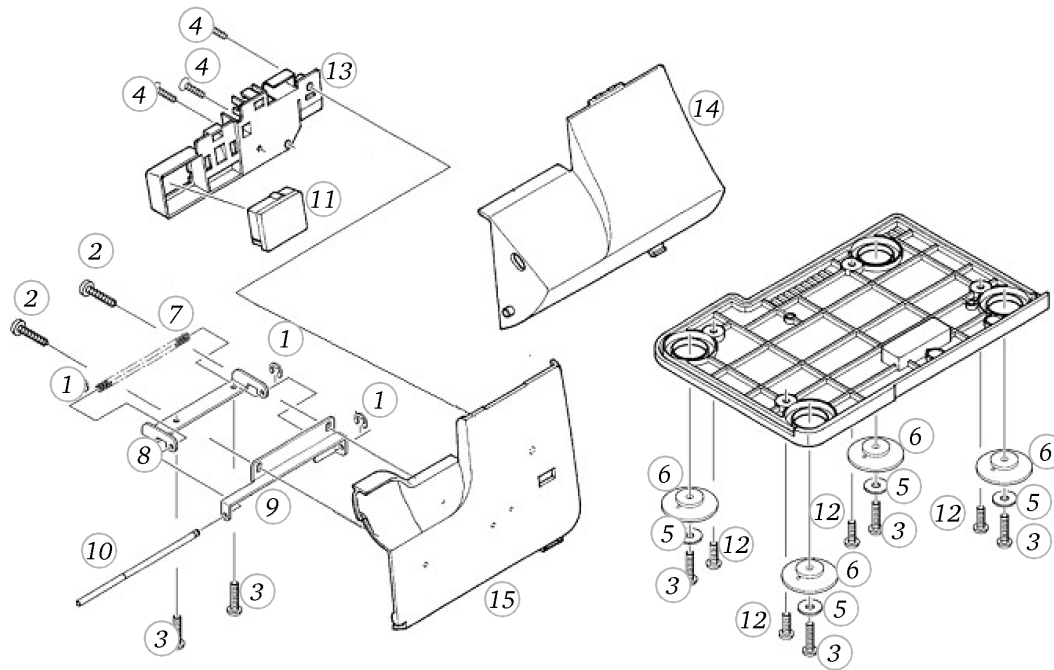
bernette 610D



Front cover

| Pos | Item number | Description | Supplier Part no. |
|-----|-------------|--------------------|-------------------|
| 1 | 61225 | M4 PHILLIPS SCREW | |
| 2 | 5020700178 | SCREW M4 | |
| 3 | 64618 | TAPPING SCREW | |
| 4 | 5020700138 | THREAD GUIDE PLATE | 72756 |
| 5 | 5020700139 | THREAD GUIDE A | 72757 |
| 6 | 5020700142 | SPONGE | |
| 7 | 5020700144 | SEAL | 72843 |
| 8 | 5020700644 | M4 PHILLIPS SCREW | 77042 |
| 9 | 79097 | THREAD GUIDE | |
| 10 | 79098 | MOUNTING BRACKET | |
| 11 | 5020700153 | THREADING SHEET | 79546 |
| 12 | 5020700208 | FRONT COVER | 79547 |
| 13 | 5020700157 | THREAD GUIDE | |

bernette 610D

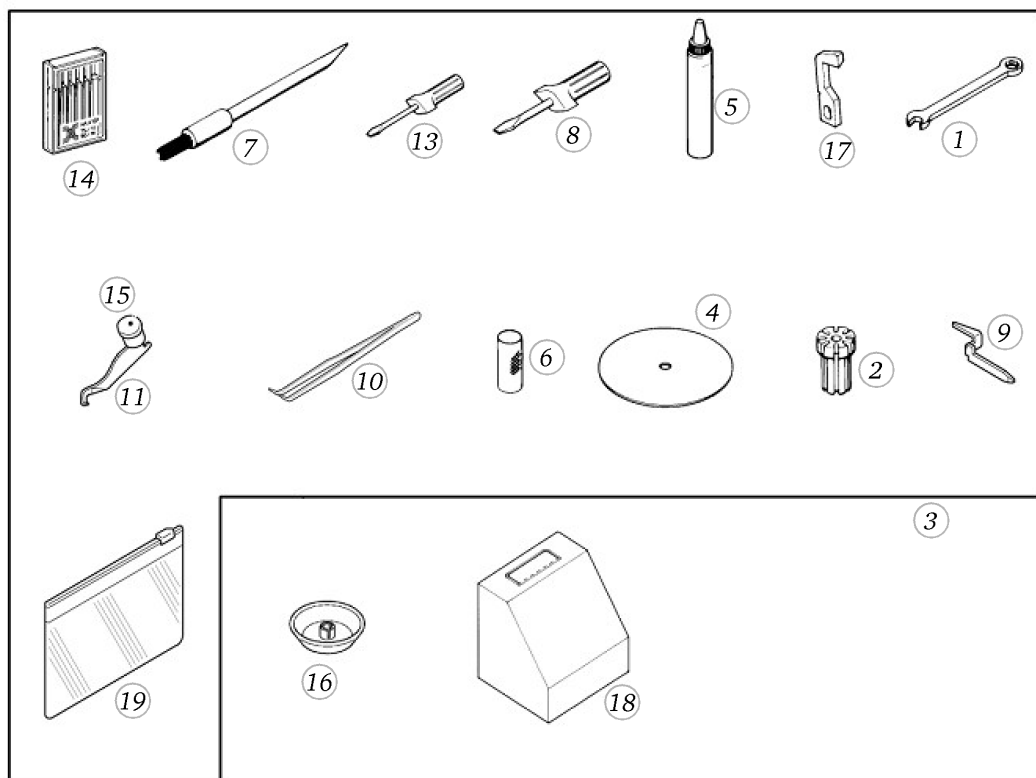


Base plate

| Pos | Item number | Description | Supplier Part no. |
|-----|-------------|--------------------|-------------------|
| 1 | 5020700480 | E3 CLIP-ON WASHER | 1520 |
| 2 | 5020700496 | TAPPING SCREW | 39160 |
| 3 | 61224 | M4 PHILLIPS SCREW | |
| 4 | 62016 | TAPPING SCREW | |
| 5 | 68891 | WASHER | |
| 6 | 5020700239 | RUBBER CUSHION | |
| 7 | 72681 | COMPRESSION SPRING | |
| 8 | 72753 | HINGED BRACKET(A) | |
| 9 | 72754 | HINGED BRACKET(B) | |
| 10 | 72808 | SHAFT | |
| 11 | 5020700143 | SPONGE HOLDER | |
| 12 | 5020700644 | M4 PHILLIPS SCREW | 77042 |
| 13 | 5020700152 | INNER ATTACH. CASE | |
| 14 | 5020700378 | LINT BOX | 24028 |
| 15 | 5020700161 | FRONT COVER | 79554 |

bernette 610D

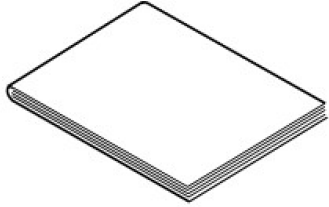
Accessories



| Pos | Item number | Description | Supplier Part no. |
|-----|-------------|----------------------|-------------------|
| 1 | 5020700069 | SPANNER | 44295 |
| 2 | 5020700360 | Spool Stabilizer | 89506 |
| 3 | 5020700101 | ACCESSORY SET CPL | 50975 |
| 4 | 5020700072 | SPOOL DISC | 59455 |
| 5 | 5020700068 | OILER | 63398 |
| 6 | 5020700071 | THREAD NET | 63523 |
| 7 | 5020700363 | Cleaning brush | 65650 |
| 8 | 5020700067 | SCREWDRIVER LARGE | 65811 |
| 9 | 5020700060 | STITCH FINGER B | 72391 |
| 9 | 5020700660 | STITCH FINGER B | 72002 |
| 10 | 5020700070 | TWEEZERS | 72599 |
| 11 | 5020700059 | TWO-THREAD CONVERTER | 72706 |
| 13 | 5020700064 | SCREWDRIVER SMALL | 74793 |
| 14 | 5020700062 | NEEDLE SET | 74850 |
| 15 | 5020700149 | CAP | 79020 |
| 16 | 5020700074 | SPOOL CAP | 79070 |
| 17 | 5020700017 | UPPER KNIFE | 79089 |
| 18 | 5020700517 | DUST COVER | 79675 |
| 19 | 5020700075 | ACCESSORY BAG | |

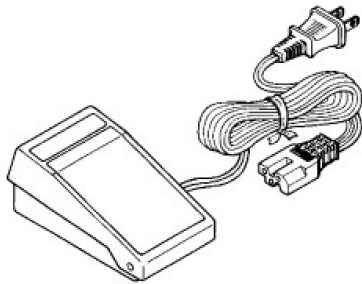
bernette 610D

6



Instruction Book

- ③ **ENG/FRE/SPA/GER/DUT**
- ④ **RUS**
- ⑤ **SWE**



- ① **230V**
- ② **AUS/NZ**

Instruction manual

| Pos | Item number | Description | Supplier Part no. |
|-----|-------------|------------------------|-------------------|
| 1 | 5020700643 | FOOT CONTROLLER (230V) | 84283 |
| 2 | 5020700184 | FOOT CONTROL AUS | 74928 |
| 3 | 0000000999 | (no longer available) | |
| 4 | 5020700032 | INSTR.BOOKS 610D RU | 82365 |
| 5 | 5020700038 | INSTR.BOOKS 610D SV | 82371 |
| 6 | 5020700033 | INSTR.BOOKS 610D DE | 82366 |